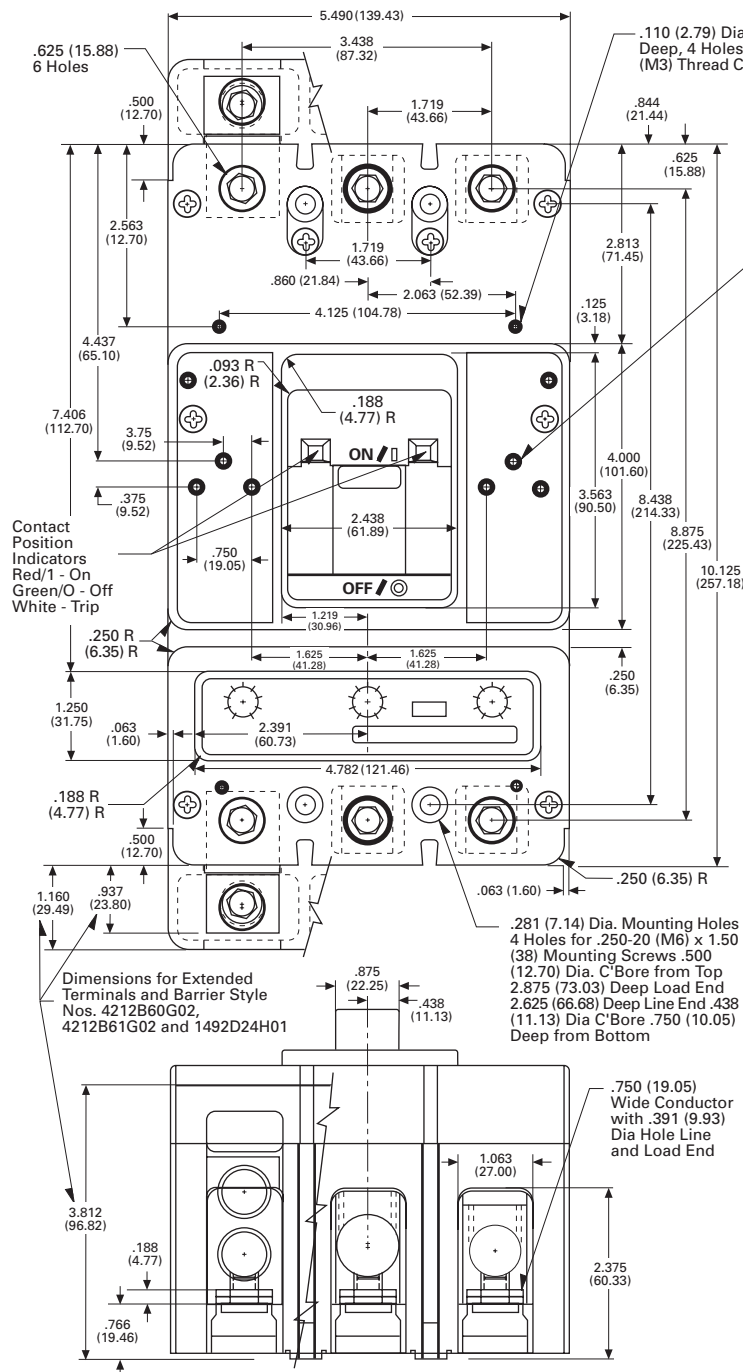


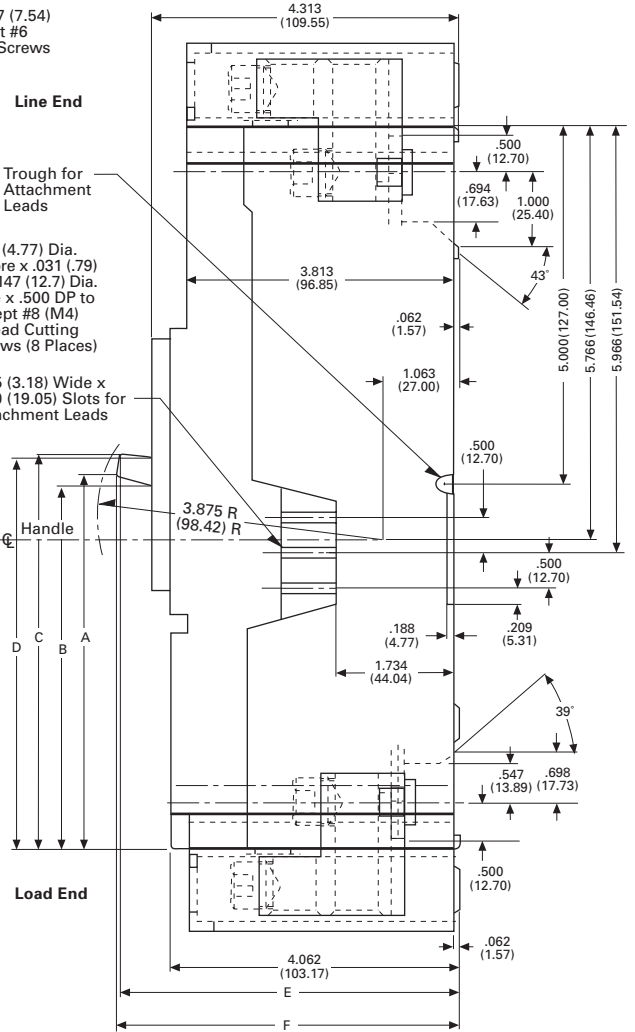
October 1997  
Mailed to: E, D, C/29-100A

# Series C<sup>®</sup> HMCP Motor Circuit Protectors 3-600 Amperes

## K-Frame Front View



## Side View



Breaker Status	Dimensions						Handle Force <sup>①</sup>
	A	B	C	D	E	F	
On	5.39 (136.9)	5.20 (132.1)	5.69 (144.5)	5.61 (142.5)	4.72 (119.9)	4.77 (121.2)	30 lbs. (13.61 kgs.)
Tripped	4.77 (121.2)	4.69 (119.1)	5.08 (129.0)	5.11 (129.8)	4.89 (124.2)	4.89 (124.2)	—
Off	4.16 (105.7)	4.21 (106.9)	4.46 (113.3)	4.64 (117.9)	4.95 (125.7)	4.91 (124.7)	25 lbs. (11.34 kgs.)
Reset	4.07 (103.4)	4.14 (105.2)	4.57 (116.1)	4.56 (115.8)	4.95 (125.7)	4.90 (124.5)	35 lbs. (15.87 kgs.)

① All handle forces measured approximately 0.125 (3.17) from top of handle.

Reproduced from drawings 1492D63 and 1492D67  
Dimensions in parentheses in millimeters

